



WIRE PACKAGING

Packaging of wire is often as important a factor in manufacturing as in choosing the correct alloy. Over the years, Ansonia Copper & Brass, Inc. has developed a number of packaging techniques, now standard to the metals industry, which were originally designed to protect our customer's wire, while giving them several added advantages. Today, these same advantages can still be realized. They include:

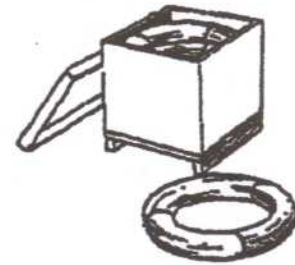
- A) Reduced handling time
- B) Longer runs; improved productivity
- C) Simplified inventory and storage
- D) Reduced labor costs; lower scrap loss
- E) Retained brightness and overall surface quality

Traditionally, Ansonia Copper & Brass' customers have had their own favorite methods of handling, stocking, and manufacturing. Even when the end application is similar, two companies might have totally different packaging requirements. Perhaps your particular end application requires special considerations too. We can help you here with the packaging designs we currently have available, the standard ones which are illustrated here on this information sheet.

Depending on the package dimensions of the wire you order, we can supply it in either bunch (mill) coils in tri-wall boxes (Figure 1) or on wire carriers (Figure 5), in Esco or Pay-Off drums (Figures 2 & 3), or level wound on reels or spools (Figure 4). Large palletized Orbital wound coils provide a continuous wire length weighing up to 3000 pounds for sizes below .187" diameter (See Figure 6). Consult us for the particular availability of these different packaging methods for a given alloy, temper and/or size.

Our standard tri-wall boxes have inner dimensions of 24" high and either 28"L x 28"W, 32"L x 32"W, or 36"L x 36"W, with each size fitting exactly onto a similar size pallet. Our Esco and Pay-Off drums are available in two dimensions, either 22" O.D. x 16" high, holding 250 pounds maximum, or 22" O.D. x 32" high, holding 500 pounds maximum. Drums can also be shrink-wrapped and skidded on pallets. Please note the dimensions of reels, spools, and wire carriers on the back of this sheet.

When you order wire, you'll find more than just product quality, you'll find quality and care in packaging it too. For more information, please contact our Customer Service Department.



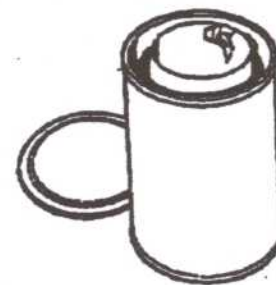
BUNCH COILS - individual coils or orbital coils, with I.D. greater than 19", are either spiral wrapped with paper or strapped bare and placed in special tri-wall box holding up to approx. 2,000 lbs.

Figure 1 Boxed Bunch Coil Package



ESCO DRUMS - for individual coils having 13"-15" I.D. and weighing up to 150 lbs. each. Coils are wrapped individually in plastic bags and separated by cardboard separators. Desiccant packages are placed inside drums to keep coils moisture-free.

Figure 2 ESCO Drum Package



PAY-OFF DRUMS - for continuous coils having 15"-17" I.D. and weighing up to approximately 500 lbs. Tubular cardboard insert holds inner diameter in place while paying directly off drum.

Figure 3 PAY-OFF Drum Package

ADS Wire Packaging	Rev. No. 3	Rev. Date 12/5/06	Page 1 of 2
P. O. Box 109 - Ansonia, Connecticut 06401		725 Bank St. - Waterbury, Connecticut 06708	
Tel.: 1-800-521-1703	FAX 203-735-3787	Tel.: 1-800-243-3204	FAX 203-756-1330

REELS and SPOOLS- See Figure 4

Wooden reels and masonite spools are non-returnable; steel reels are returnable requiring an initial deposit, which is eventually refundable upon final return, F.O.B. Ansonia, CT.

Wooden Reels	Flange (Dia.)	Width (I.D.)	Width (O.D.)	Depth	Arbor Hole (Dia.)	Tare Weight (lbs.)	Load Cap. (lbs.)
#96W	24"	9.5"	11.5"	5.75"	1.5"	26	500
#97W	16"	10.75"	13"	3"	5"	12	250

Steel Reels	Flange (Dia.)	Width (I.D.)	Width (O.D.)	Depth	Arbor Hole (Dia.)	Tare Weight (lbs.)	Load Cap. (lbs.)
#94S	28"	11"	12.5"	5"	5"	207	900
#96S	22"	11"	13"	4"	5"	120	500
#97S	16"	11"	13"	2.75"	5"	62	250

Masonite Spool	Flange (Dia.)	Width (I.D.)	Width (O.D.)	Depth	Arbor Hole (Dia.)	Tare Weight (lbs.)	Load Cap. (lbs.)
#2R	11.81"	3.375"	4"	8.125"	2"	2	30

WIRE CARRIERS – See Figure 5

Wire carriers are made of high strength, high carbon steel tube; #202 wire carriers are non-returnable, #404 wire carriers are returnable.

No.	Overall Height "A"	Overall Base "B"	Arbor Size "C"	Standard Block Size	Tare Wt. (lbs.)	Load Cap. (lbs.)
#202	46"-48"	37"	17"	22"	32	3,000
#404	34"-48"	53"	30"	36"	*	*3,000-5,000

*#404 tare and load capacity dependent on height "A".

WIRE MARKING

When specified, individual coils or drums can be tagged with heat/lot number tags, or special customer tags.

PACKAGE MARKING

Standard package marking is an MSDS tag with the shipping label on the back attached to the wire carrier or palletized package. See our website, www.ansoniacb.com, for MSDS by alloy group.

For other special packaging or marking requirements and/or dimensional tolerances, please contact our Customer Service Dept. When not specified, dimensional tolerances of our wire products will meet ASTM B250/B250M, considered the commercial industry standard. Our standard tolerances meet the requirements of SAE, AMS, Military, Federal, and ASME specifications, as well as ASTM.

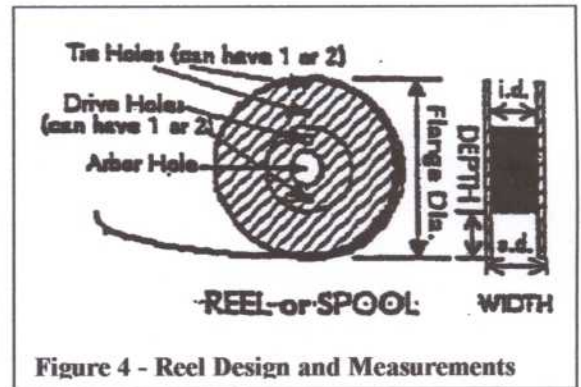


Figure 4 - Reel Design and Measurements

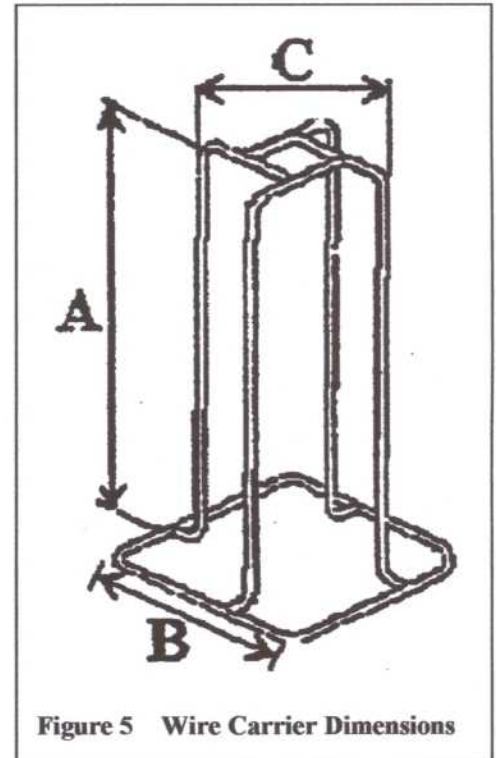


Figure 5 Wire Carrier Dimensions

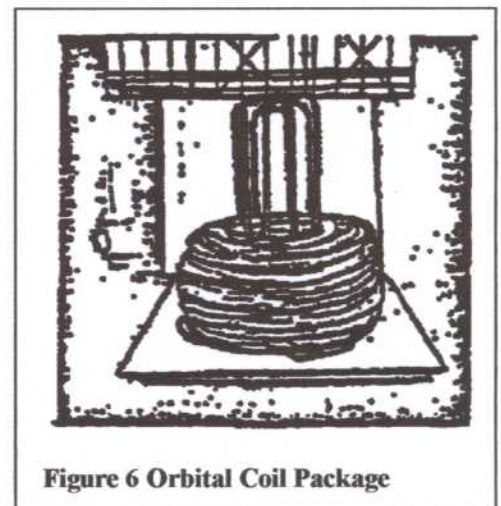


Figure 6 Orbital Coil Package

ADS Wire Packaging	Rev. No. 3	Rev. Date draft 12/5/06	Page 2 of 2
P. O. Box 109 - Ansonia, Connecticut 06401		725 Bank St. - Waterbury, Connecticut 06708	
Tel.: 1-800-521-1703	FAX 203-735-3787	Tel.: 1-800-243-3204	FAX 203-756-1330